

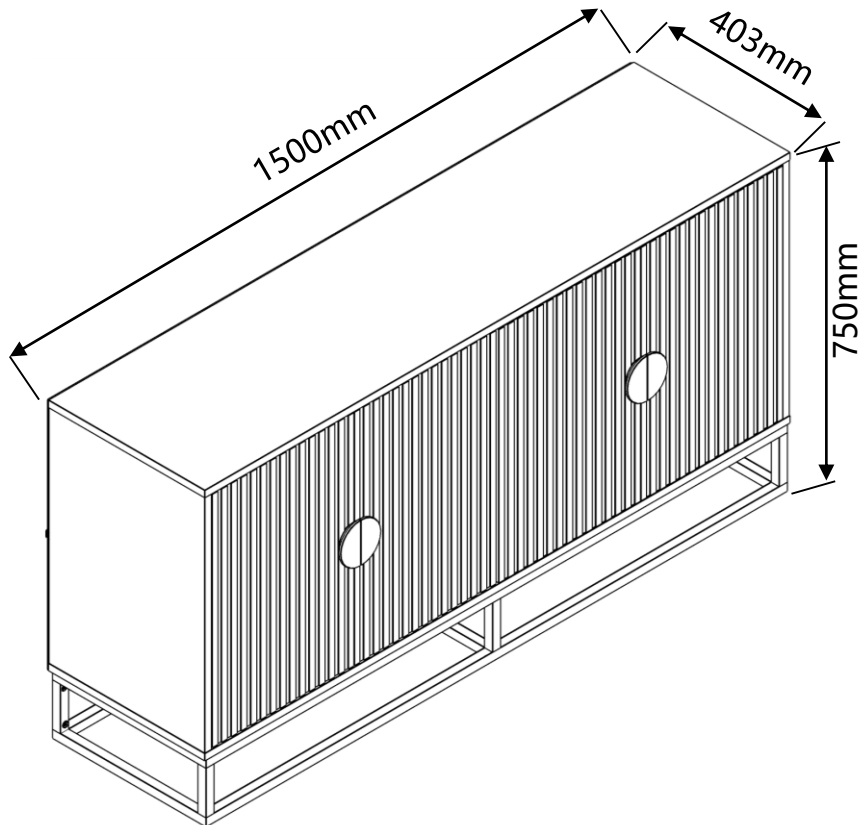


ASSEMBLY INSTRUCTION

Valdis Buffet

ITEM CODE **73830**

Imported by Amart Furniture Pty Ltd, Brisbane, Qld, Australia.
For any assistance with assembly or for missing parts please
phone Amart Furniture , Customer Service Free call 1800 351
084



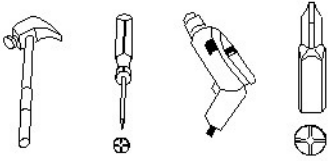


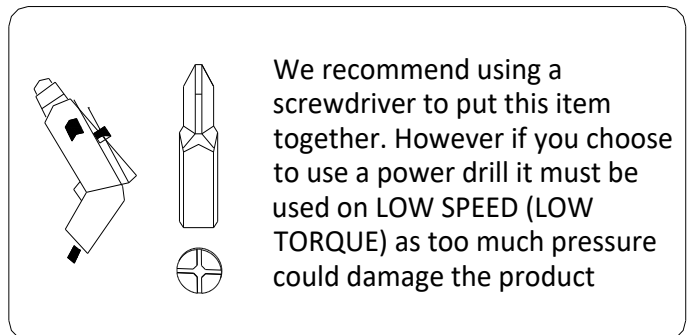
Imported by Amart Furniture Pty Ltd ,Brisbane, Qld, Australia.
For any assistance with assembly or for missing parts please phone
Amart Furniture, Customer Service Free call 1800 351 084

PRE-ASSEMBLY PREPARATION

Before you start:

1. Choose a clean, level, spacious assembly area. Avoid hard surfaces that may damage the product
2. Take care when lifting. Product should be assembled as near as possible to the point of use
3. Ensure that you have all required contents for complete assembly
4. Always read the assembly instructions carefully before beginning assembly.
5. Keep all hardware parts and packaging out of reach of small children.
6. Do not over tighten the screws and bolts as this may damage the threads

	
ALLOW 60 MINUTES	2 PEOPLE REQUIRED
	
TOOLS REQUIRED	



! TIPPING WARNING !



Serious or fatal injuries may occur from furniture toppling over. To help avoid this please follow the below recommendations:

- Install the provided "Tipping Kit" as per the instructions
- Never allow children to climb on or hang off of any part of this product
- Unless specifically designed to accommodate, do not set TVs or other heavy objects on top of this product

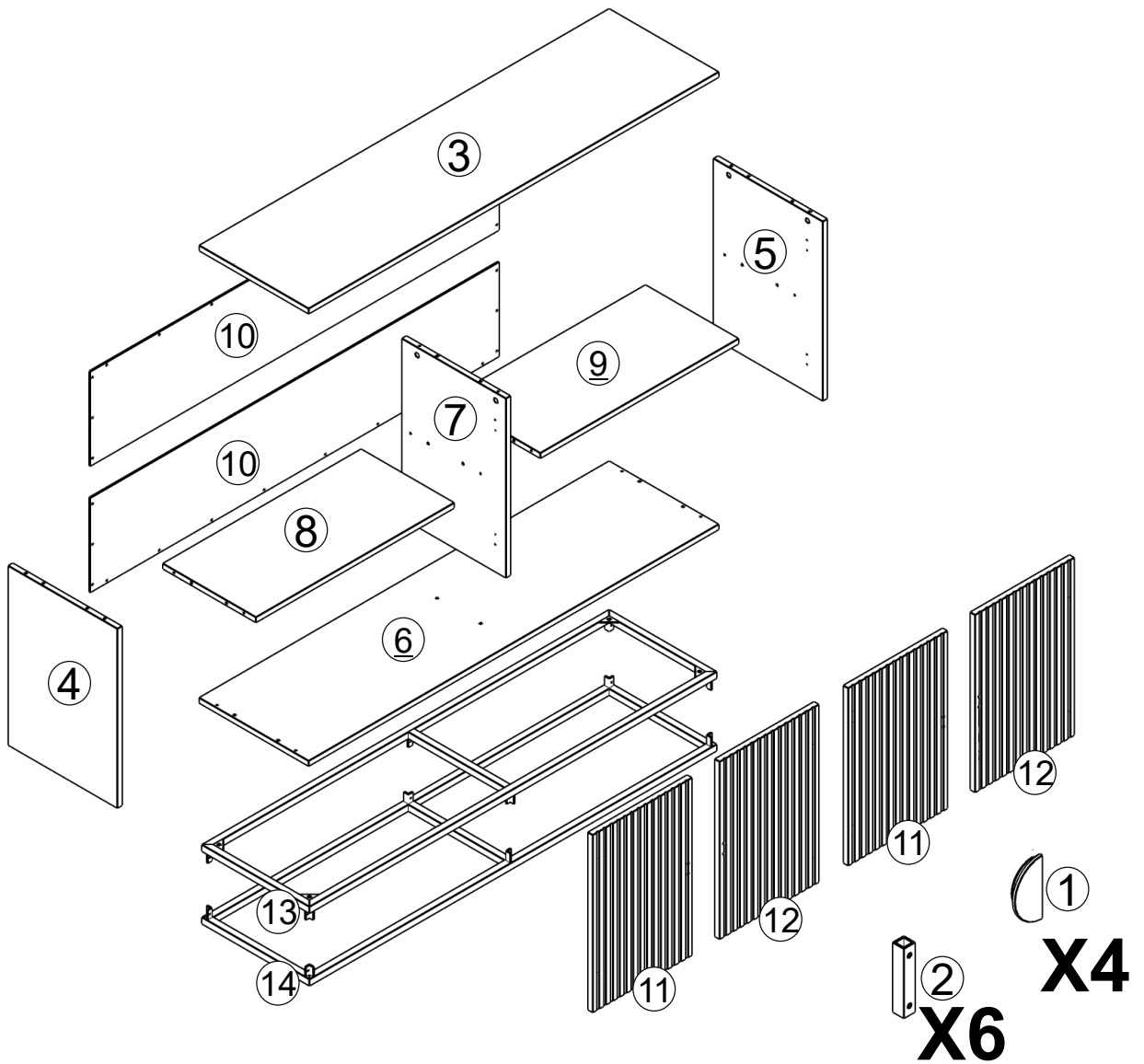
If this product has drawers:

- Place the heaviest items in lowest drawers
- Do not open more than 1 drawer at a time as this may cause the product to become unbalanced
- Do not tamper with or remove any drawer interlocking/running system



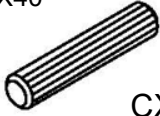
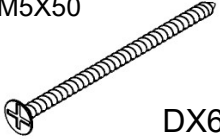


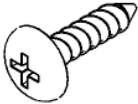

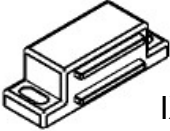
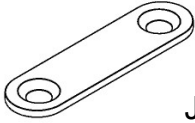
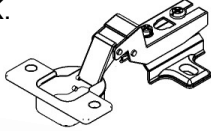
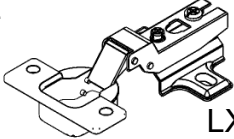
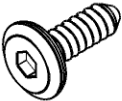
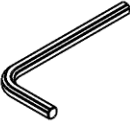

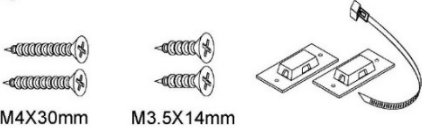
Note: The use of the provided "Tipping Kit" may reduce but not necessarily eliminate the risk of furniture toppling over. Please use this product with caution.

This is a permanent label. Do not attempt to remove!

PARTS LIST

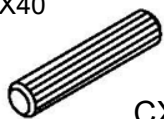


1	Door Handle	6	Bottom Board	11	Left Door
2	Support Bar	7	Middle Board	12	Right Door
3	Top Board	8	Left Shelf	13	Frame
4	Side Board	9	Right Shelf	14	Frame
5	Side Board	10	Back Board		

<p>A. Ø15X12mm</p>  <p>AX14</p>	<p>B. M6X39mm</p>  <p>BX14</p>	<p>C. Ø8X40</p>  <p>CX20</p>	<p>D. M5X50</p>  <p>DX6</p>
<p>E. M3.5*16mm</p>  <p>EX8</p>	<p>F. M3.5X15</p>  <p>FX40</p>	<p>G. M4*14</p>  <p>GX28</p>	<p>H.</p>  <p>HX8</p>
<p>I.</p>  <p>IX4</p>	<p>J.</p>  <p>JX4</p>	<p>K.</p>  <p>KX4</p>	<p>L.</p>  <p>LX4</p>
<p>M. M6X15mm</p>  <p>MX16</p>	<p>O.</p>  <p>OX1</p>	<p>P. L 1496mm</p>  <p>PX1</p>	
<p>N. WALL FIXING</p>  <p>M4X30mm M3.5X14mm</p>			

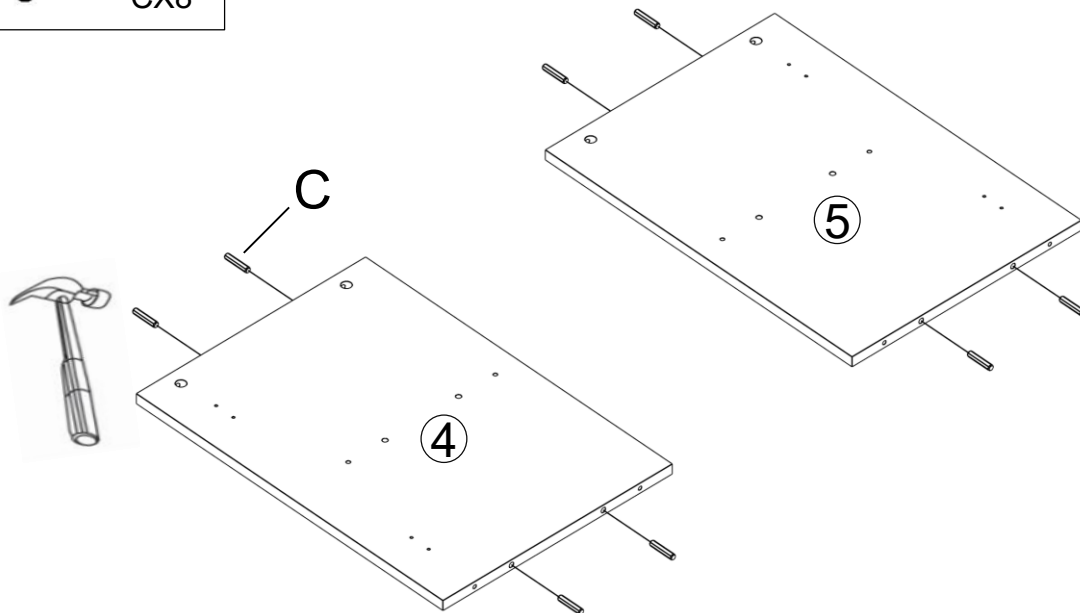
STEP:1

C. Ø8X40



CX8

Insert dowel (C) to side board (4、5)



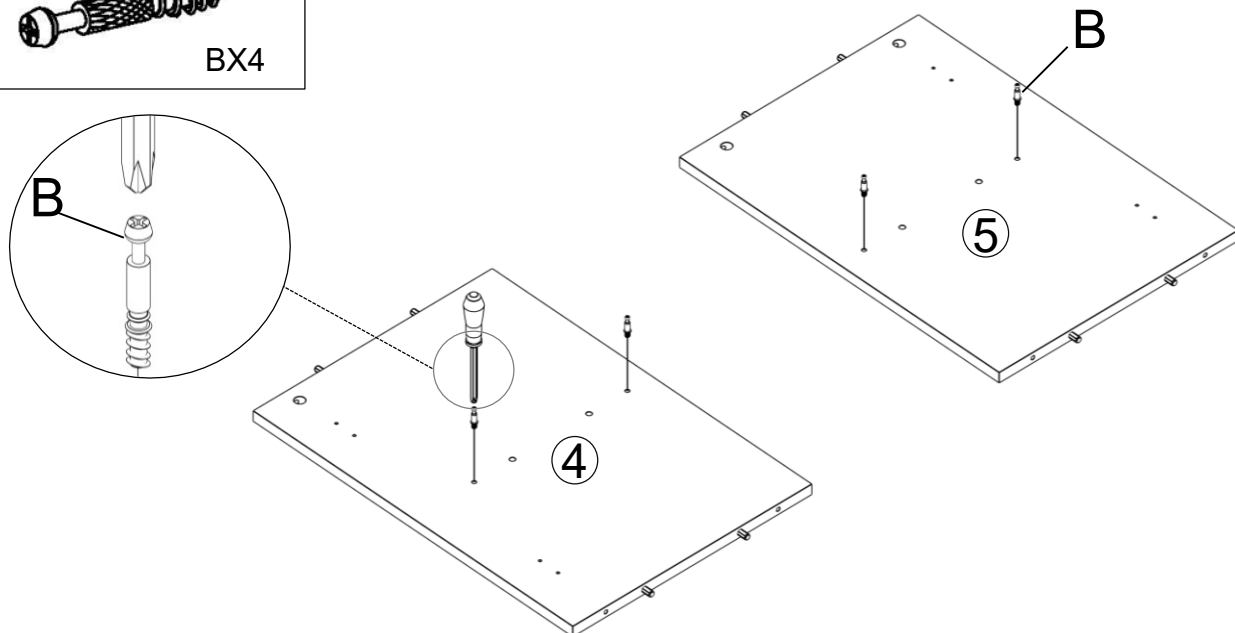
STEP:2

B. M6X34mm



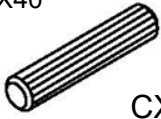
BX4

Fix cam pin (B) to side board (4、5)



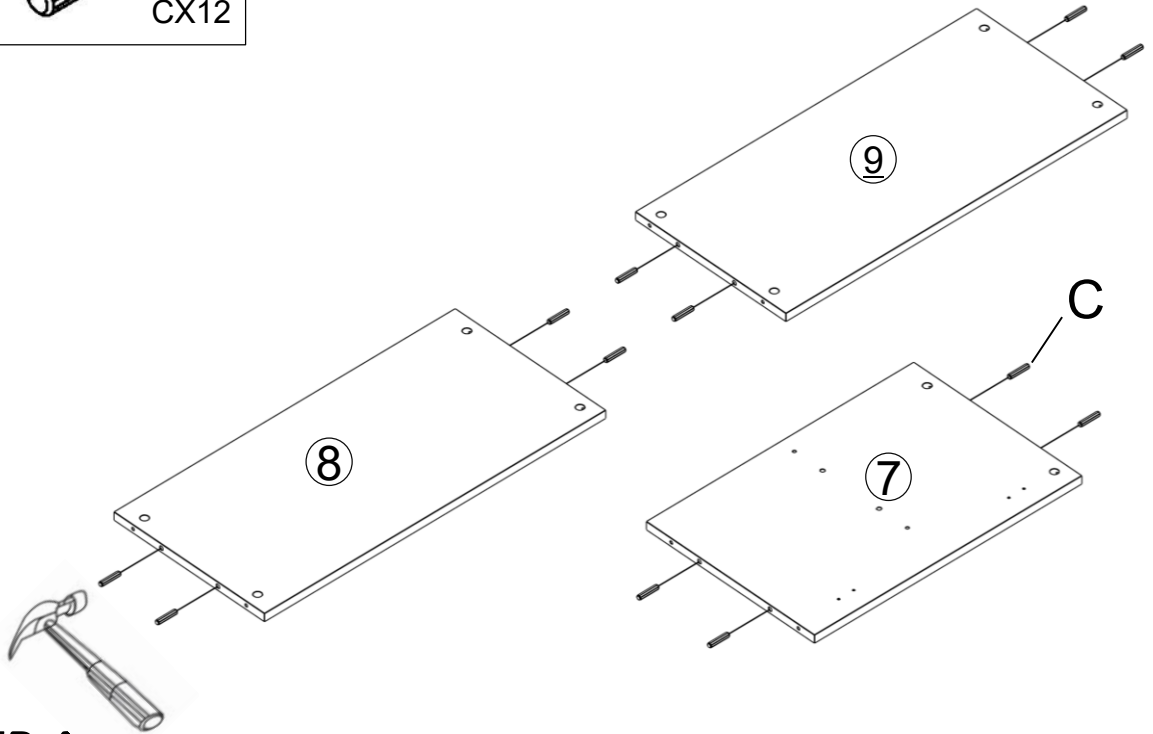
STEP:3

C. Ø8X40



CX12

Insert dowel (C) to shelf board (8, 9)
and middle board (7)



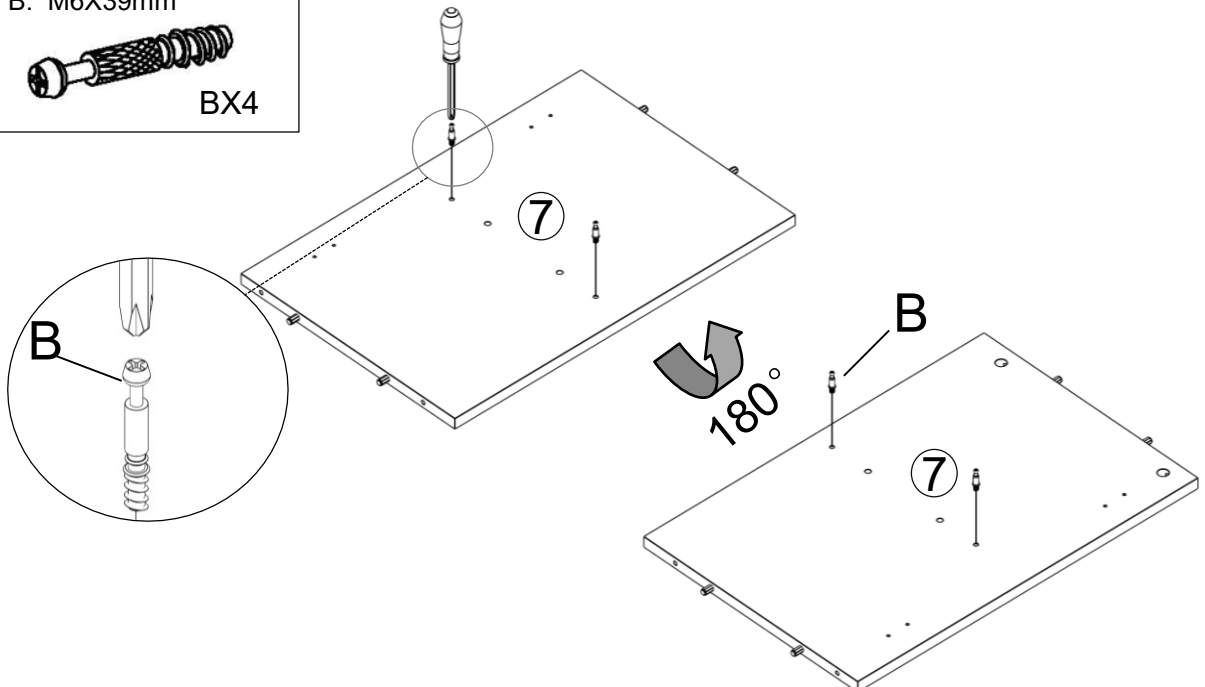
STEP:4

B. M6X39mm



BX4

Fix cam pin (B) to middle board (7)



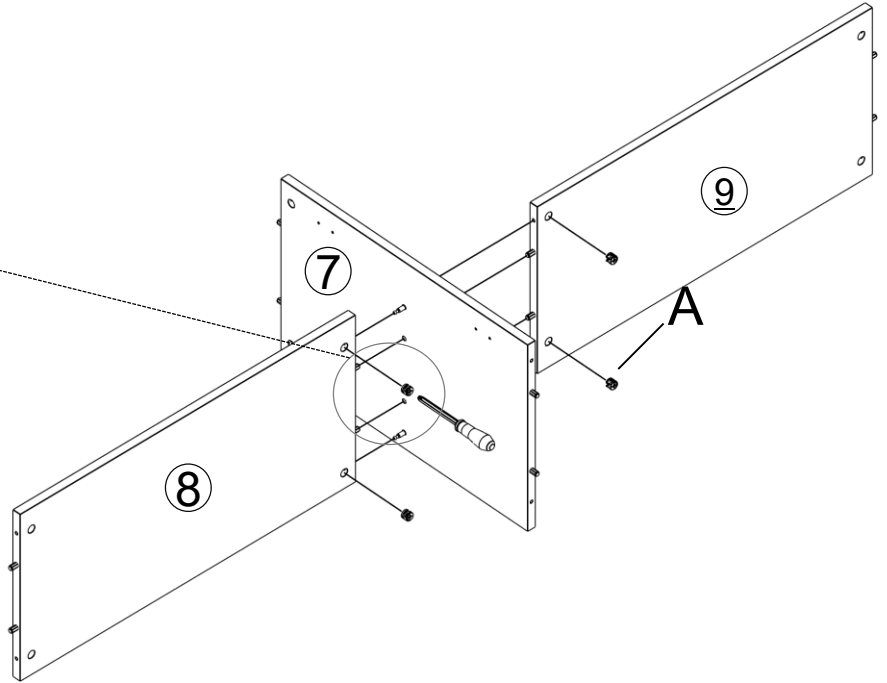
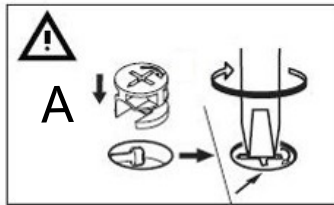
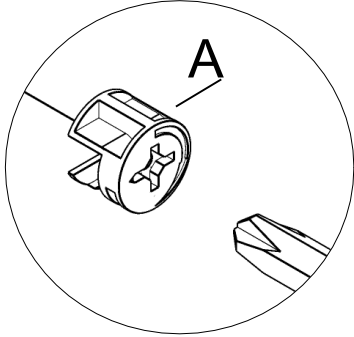
STEP:5

A. Ø15X12mm



AX4

Attach shelf board (8)(9) to middle board (7) with the cam locks(A)



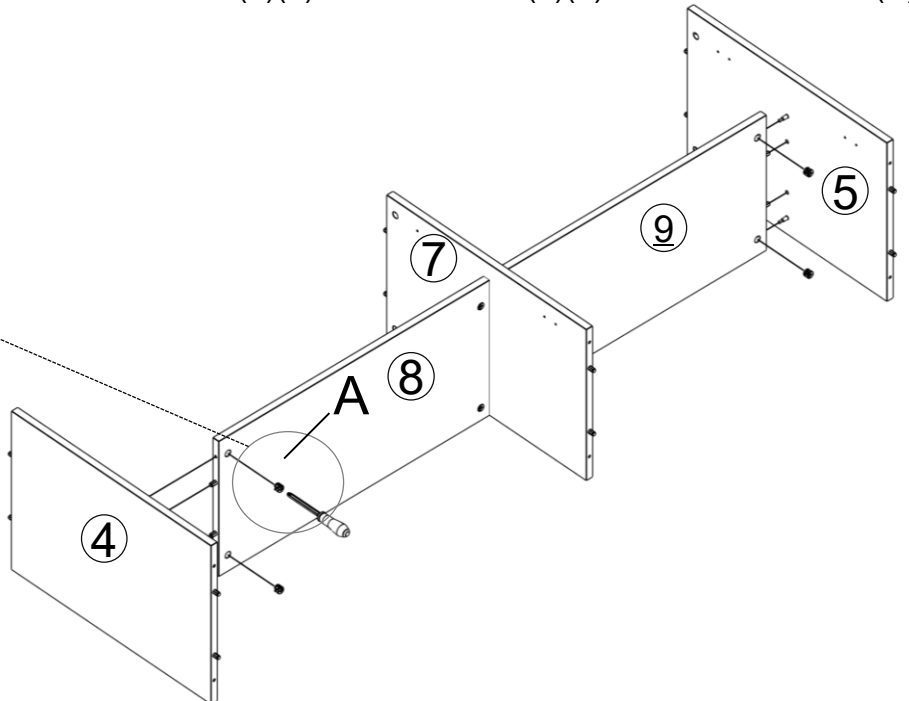
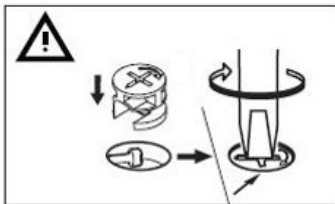
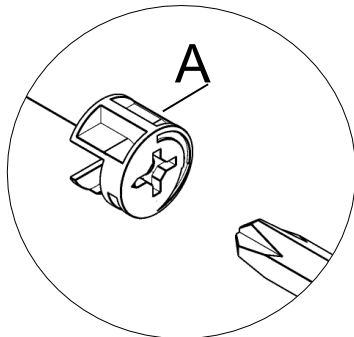
STEP:6

A. Ø15X12mm



AX4

Attach side board (4)(5) to shelf board (8)(9) with the cam locks(A)



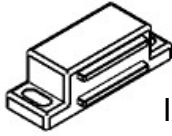
STEP:7

E. M3.5*16mm



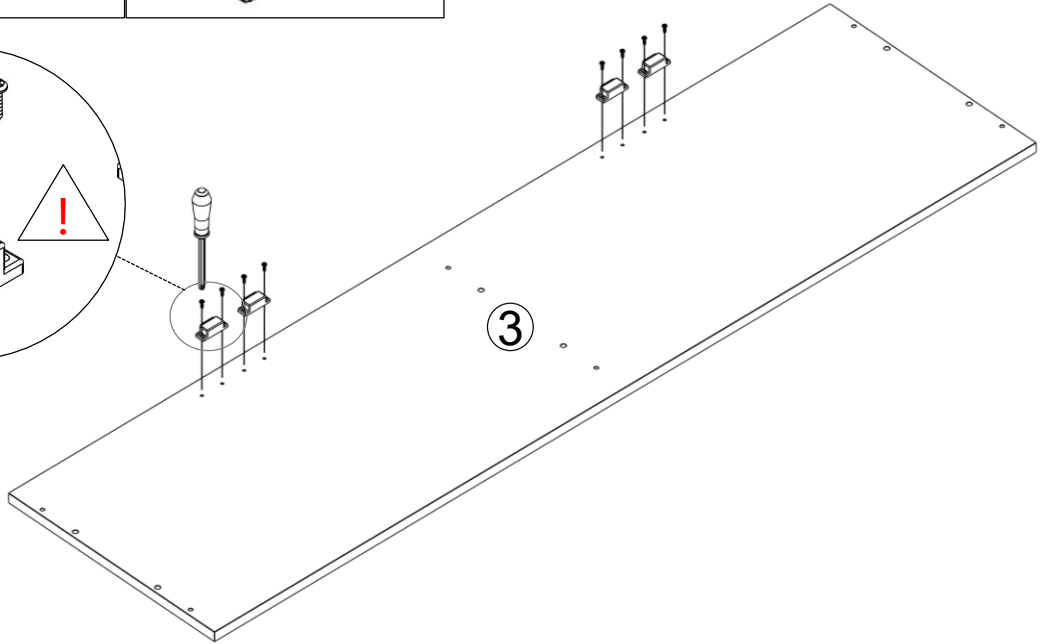
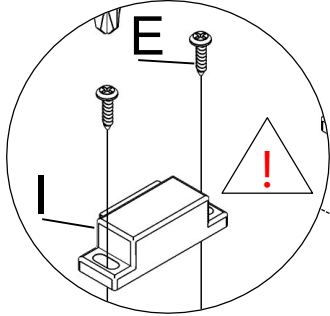
EX8

I.



IX4

Fix door catch (I) to top board (3) with screw (E)



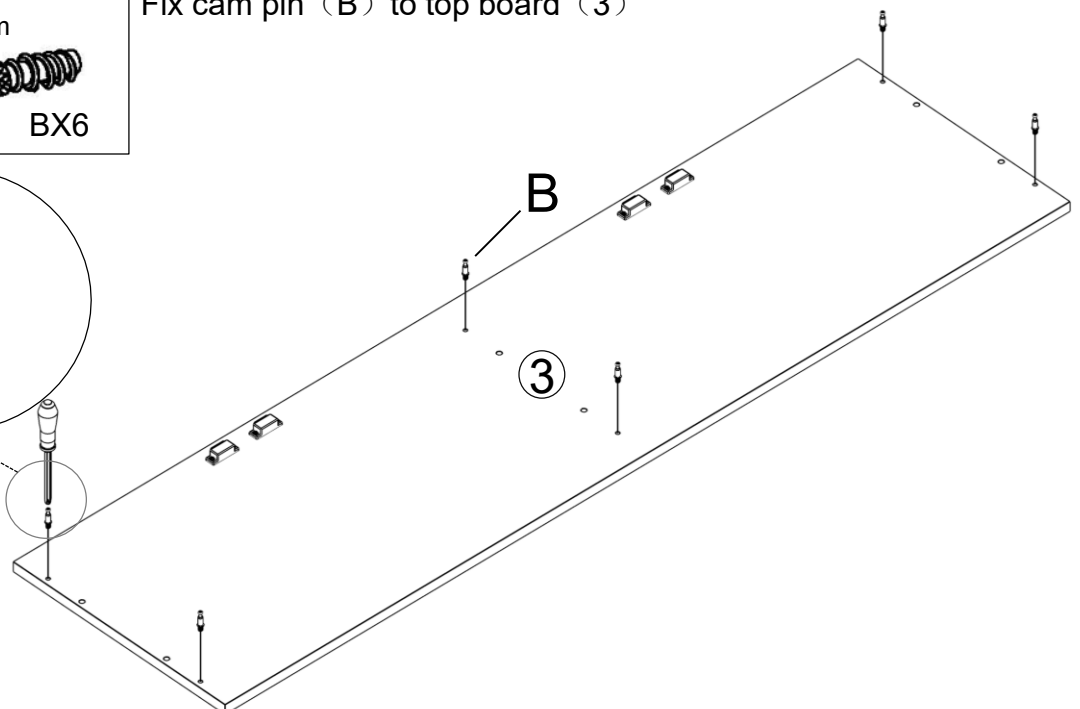
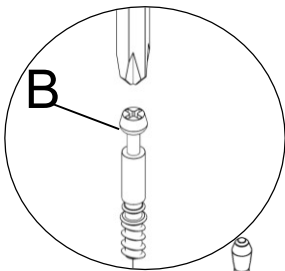
STEP:8

B. M6X39mm



BX6

Fix cam pin (B) to top board (3)

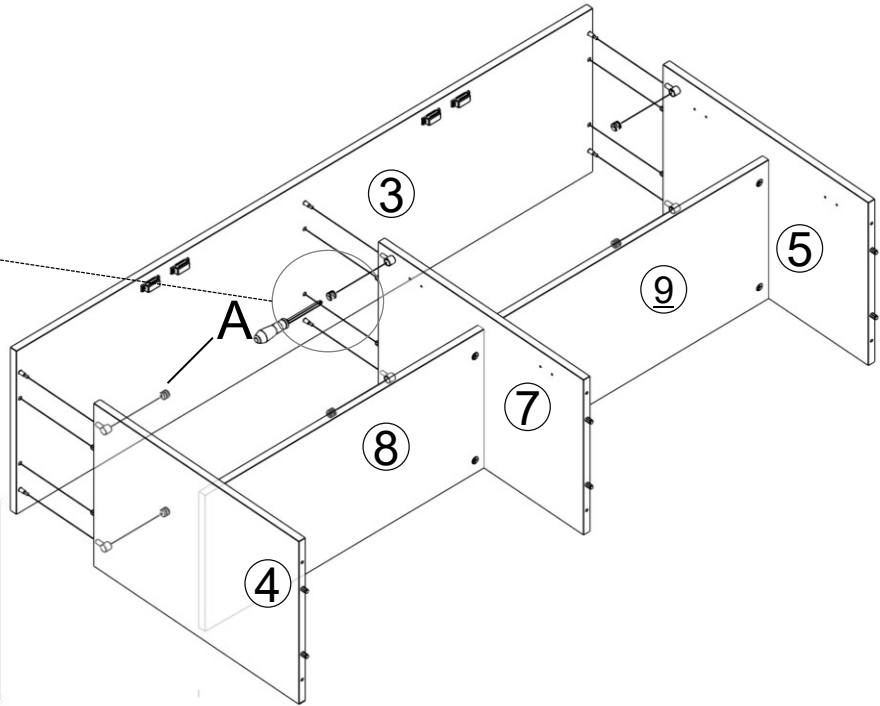
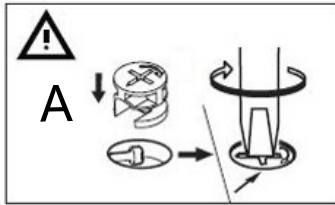
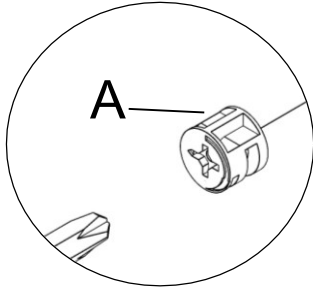


STEP:9

A. Ø15X12mm

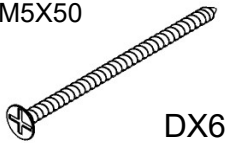


Attach top board (3) to the body with cam locks (A)

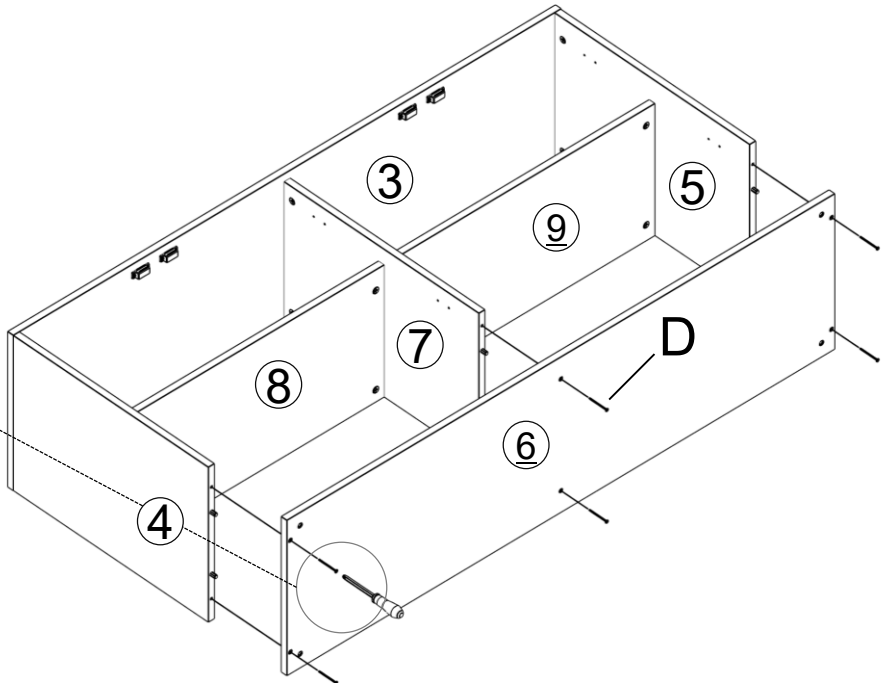
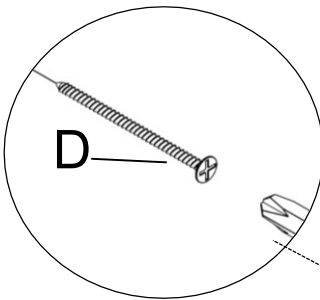


STEP:10

D. M5X50

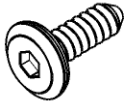


Attach bottom board (6) to the body with screws (D)



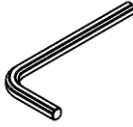
STEP:11

M. M6X15mm



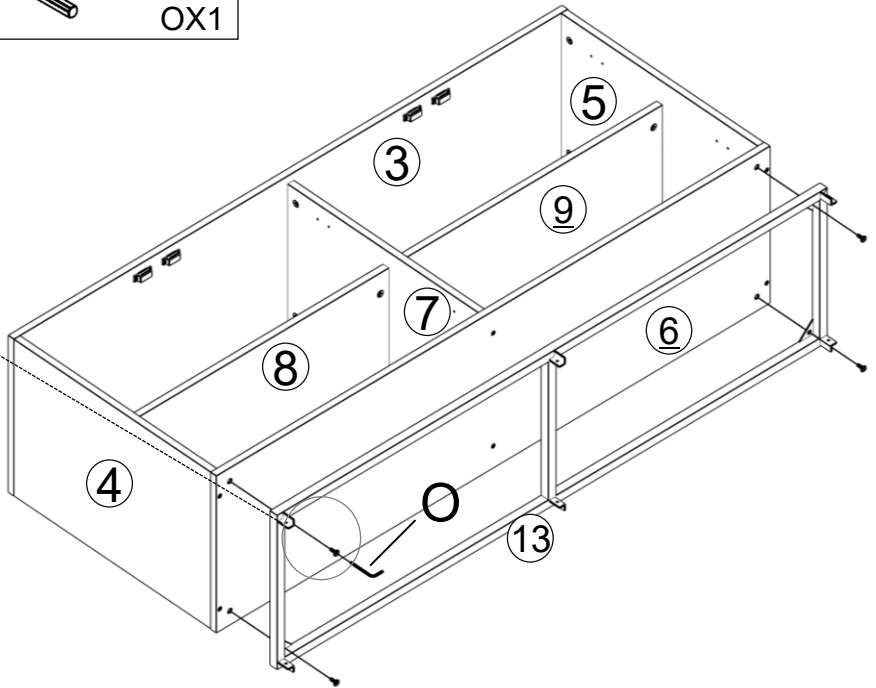
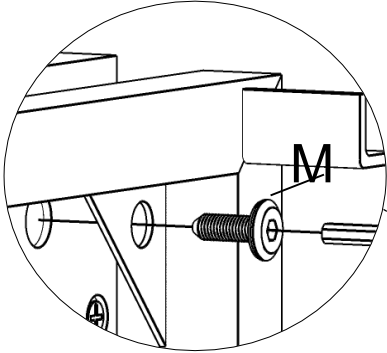
MX4

O.



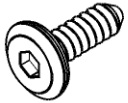
OX1

Attach frame (13) to bottom board (6) with bolt (M)



STEP:12

M. M6X15mm



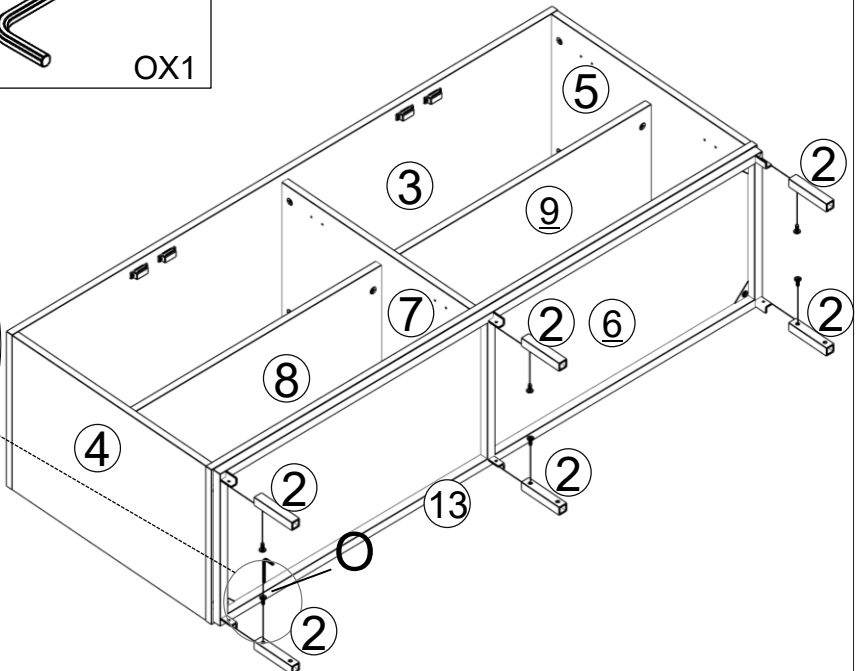
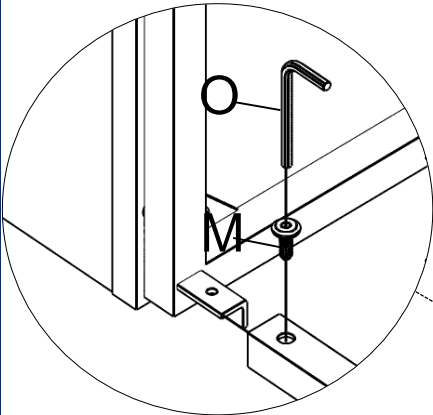
MX6

O.



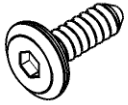
OX1

Fix support bar (2) to frame (13) with bolt (M)



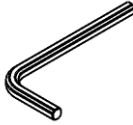
STEP:13

M. M6X15mm



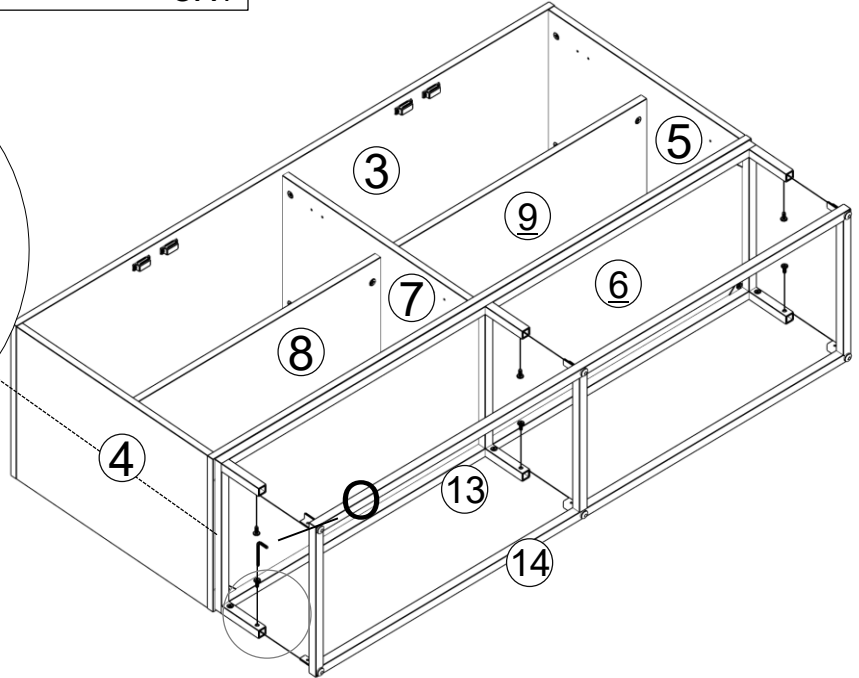
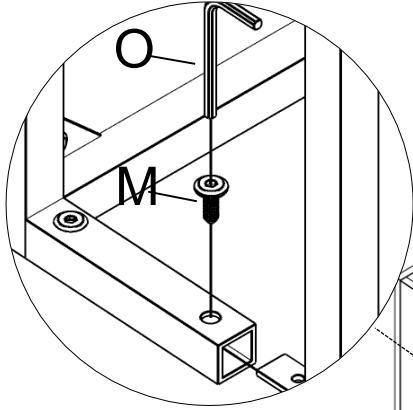
MX6

O.



OX1

Attach frame (14) to the body with bolt (M)



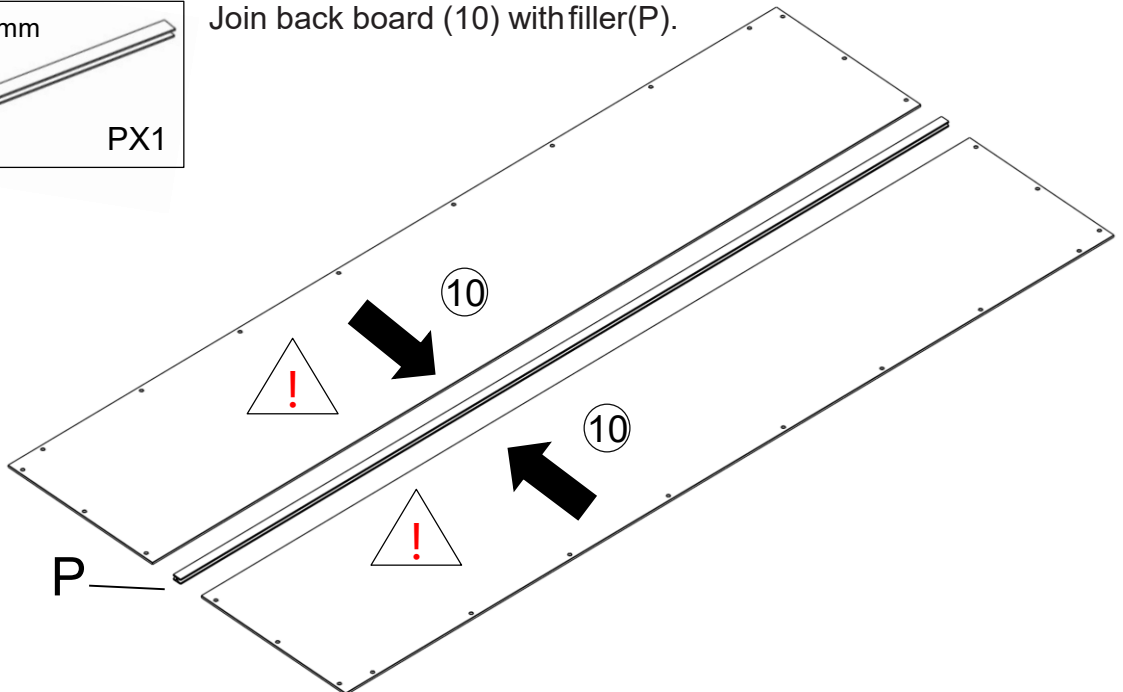
STEP:14

P. L 1496mm



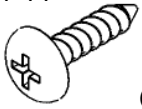
PX1

Join back board (10) with filler(P).



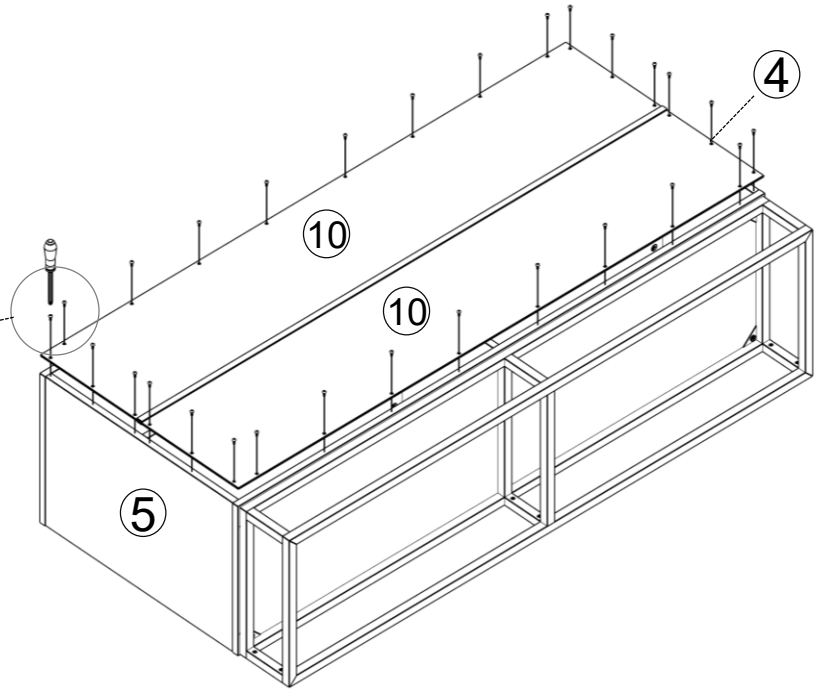
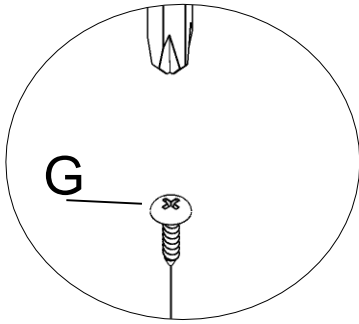
STEP:15

G. M4*14



GX28

Attach back board (10) to the body with screws (G)



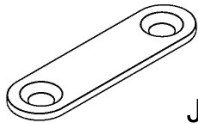
STEP:16

F. M3.5X15



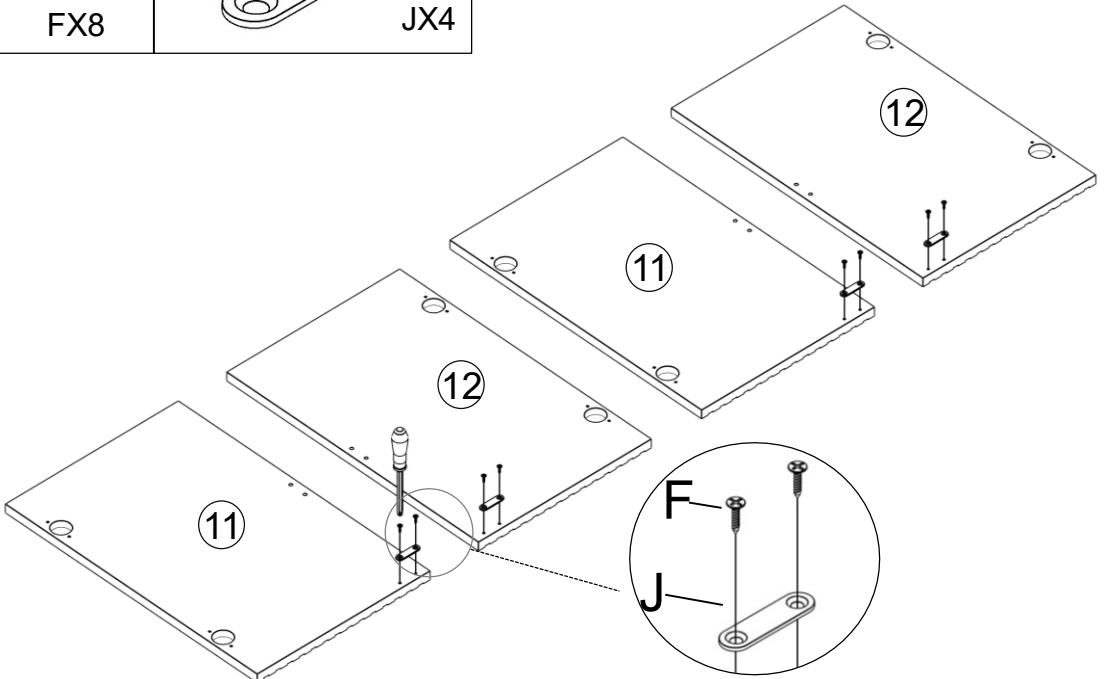
FX8

J.

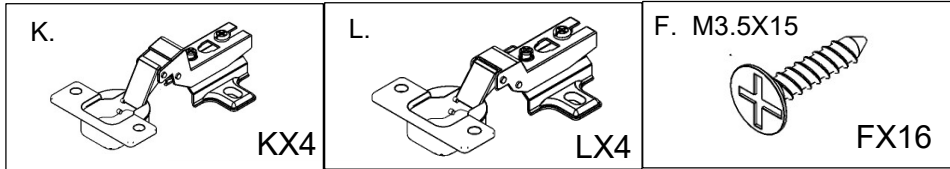


JX4

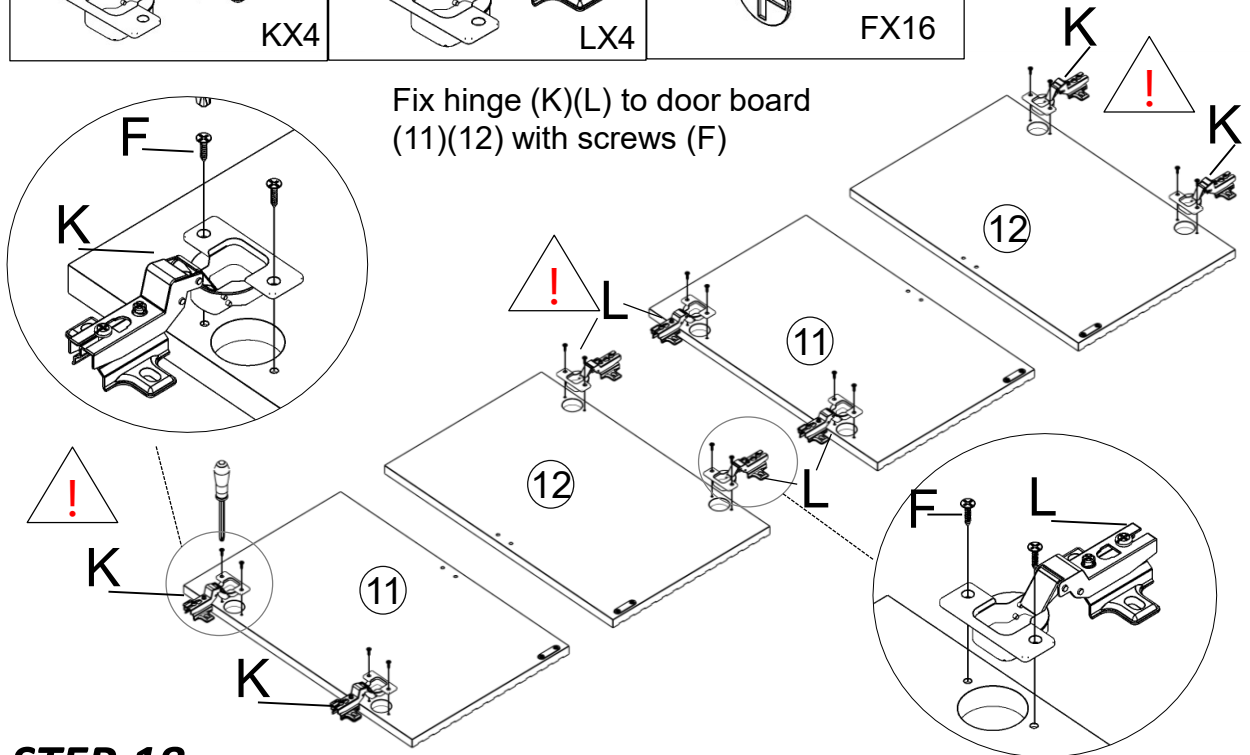
Fix stopper (J) to door board (11)(12) with screws (F)



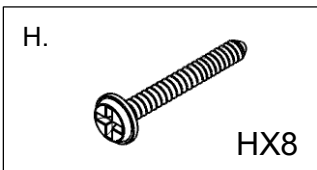
STEP:17



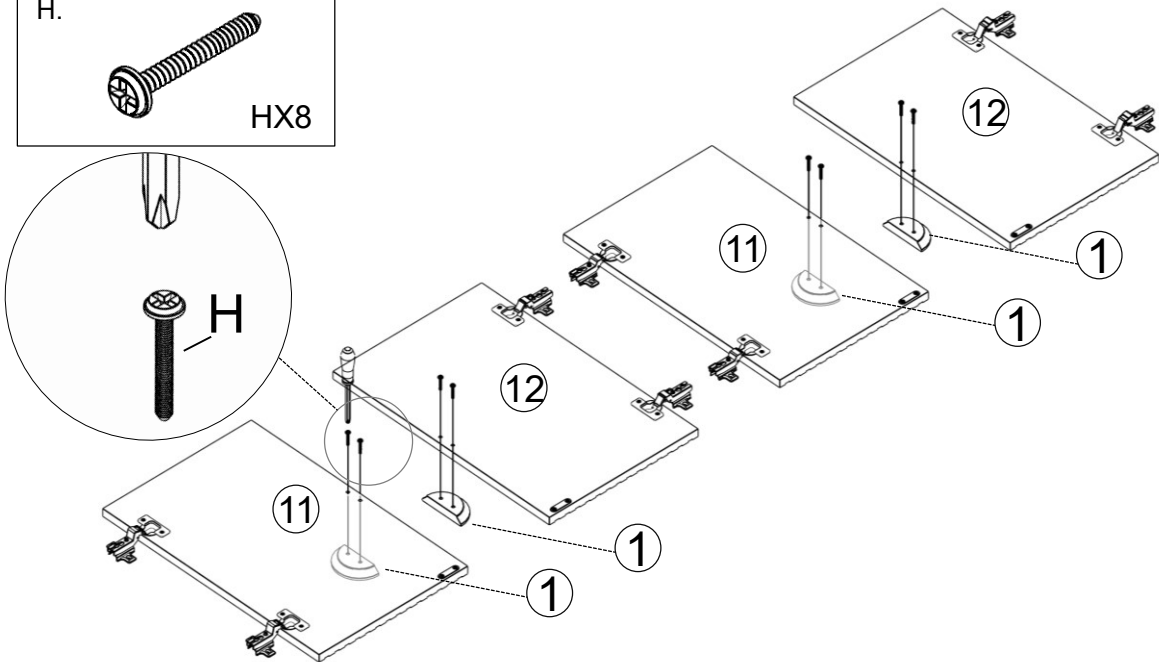
Fix hinge (K)(L) to door board (11)(12) with screws (F)



STEP:18



Fix handle (1) to door board (11)(12) with screws (H)



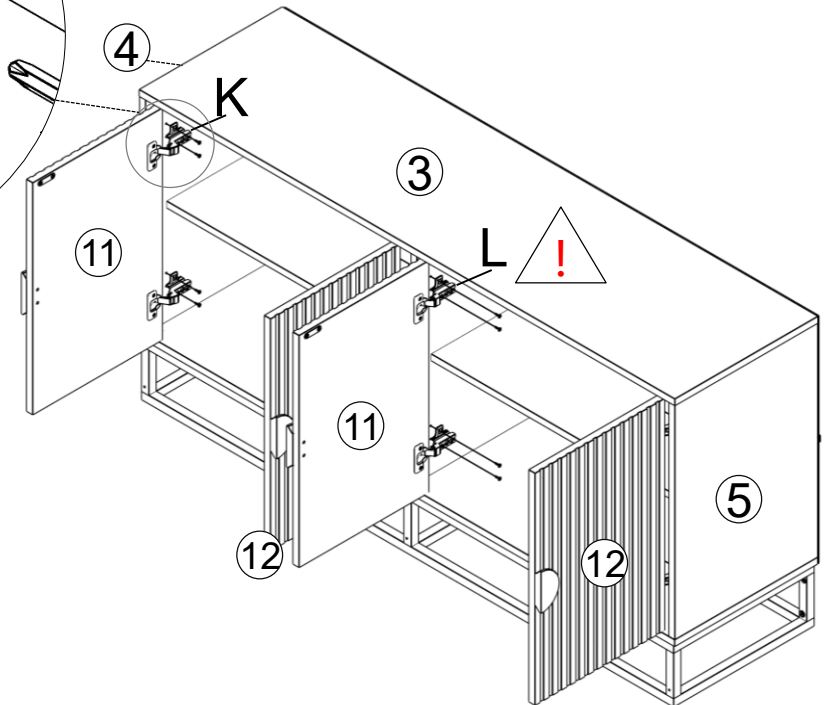
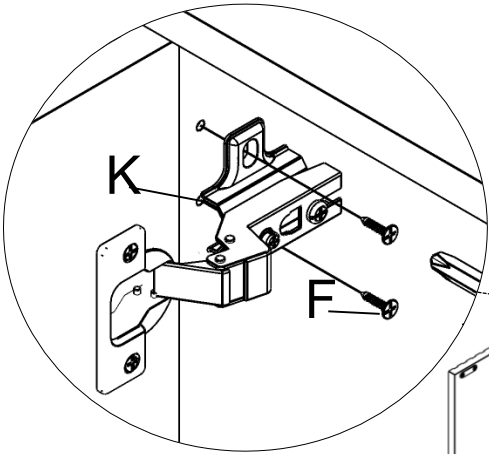
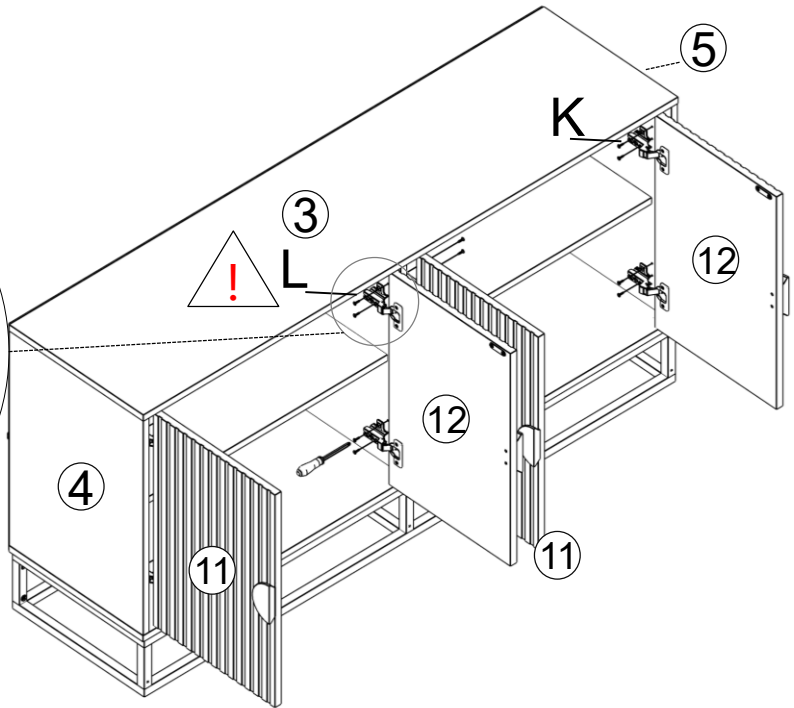
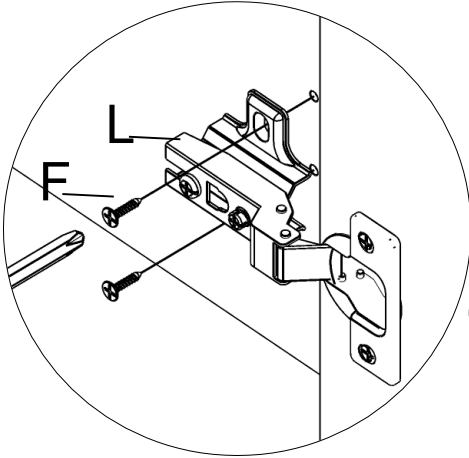
STEP:19

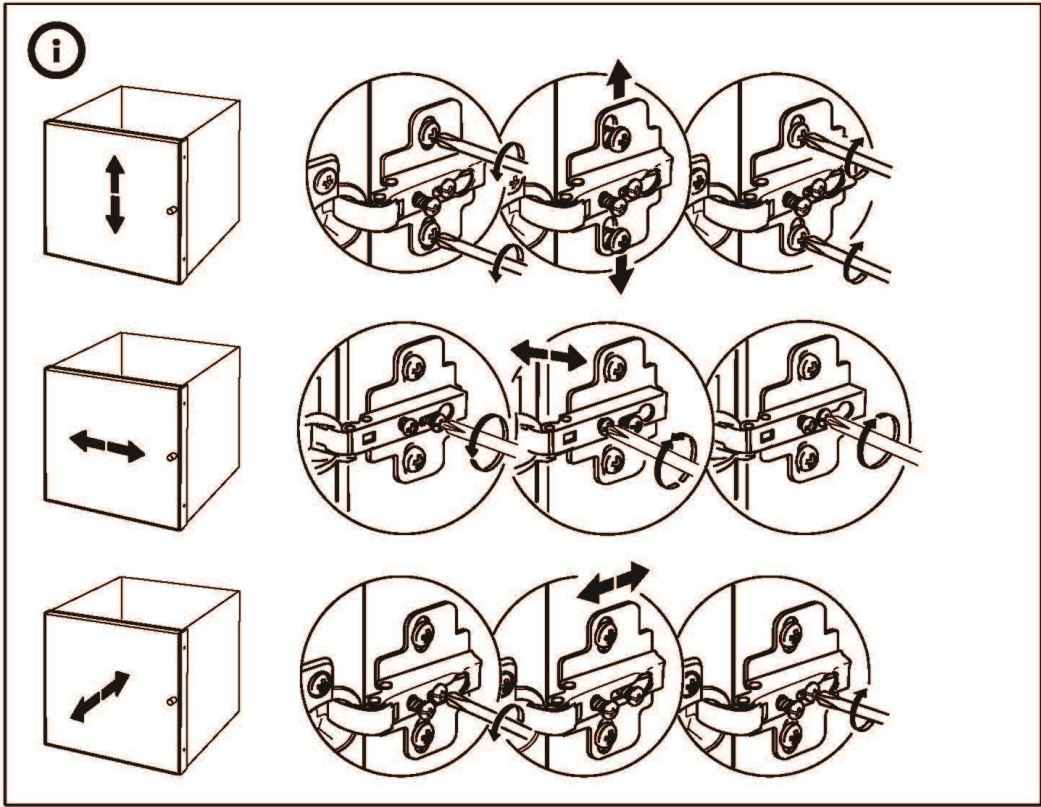
F. M3.5X15



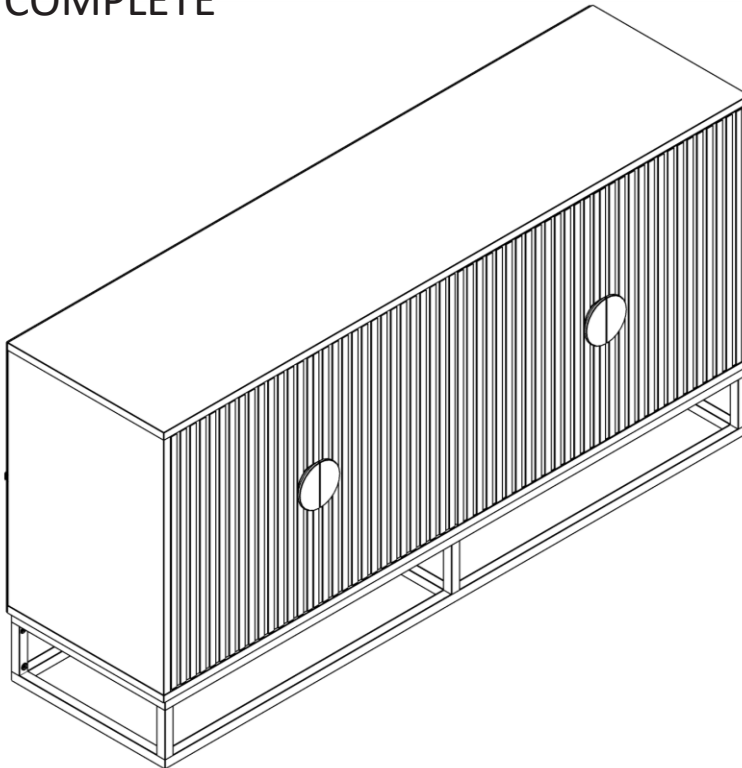
FX16

Attach door (11)(12) to the body with screws (F)





ASSEMBLY COMPLETE



SAFETY BRACKETS INSTRUCTIONS

1. Attach one Mounting Plate to the wall with the Large Screws. Make sure to attach the Mounting Plate into a stud. If mounting into brick or masonry you will need to acquire wall anchors.
2. Attach the second Mounting Plate to the furniture frame with the Short Screws.
3. Move the furniture to its final position. Thread a Wall Strap through the both Mounting Plates and tighten until snug. Do not over tighten.
4. Make sure that the Mounting Plates are firmly attached to the wall and furniture and that the Wall Strap is snug.

HARDWARE



Mounting Plate x 2



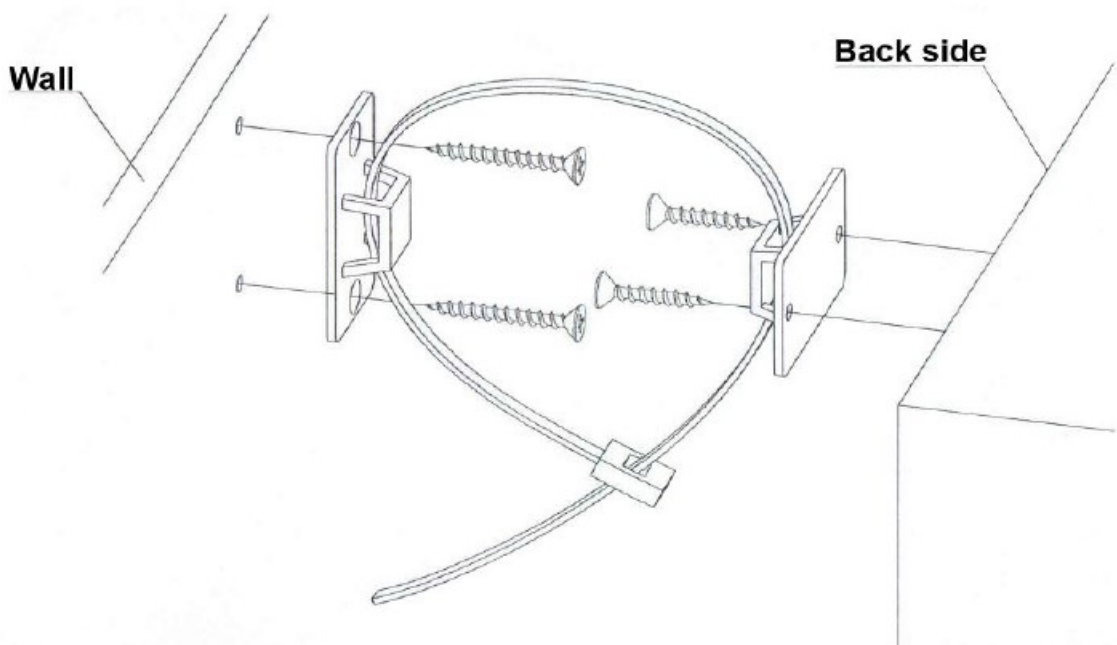
Wall Strap x 1



Large Screw x2



Small Screw x2



To protect your furniture, we suggest the following:

- Avoid placing your furniture in direct sunlight.
- Do not place furniture directly under windows.
- Do not place sharp materials (knife, fork, etc.) directly onto your furniture as sharp material may scrape and damage the finish.
- Do not place material with high temperature directly onto the surface of your furniture.
- Clean up spills quickly. Water left over a prolonged period of time may cause damage. Alcohol, perfume, nail polishes, aftershave and some medication may cause severe finish damage if not cleaned immediately.
- Use a clean, soft, dry, lint free absorbent cloth to clean your furniture. Do not use any detergent as they may contain ingredients that may react and damage the finish.

